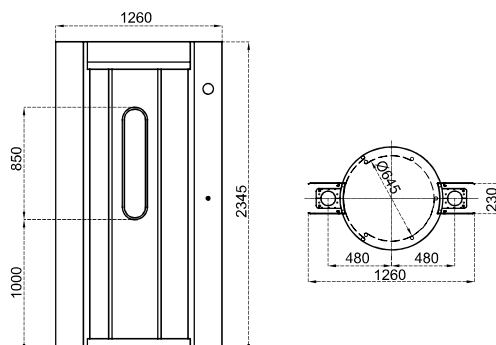


## Dimensions (mm)



## Technical Features

**Place of Use** Indoors

**Operating Temperature, Humidity** -20°C/+68°C (opt. -50°C with heater positive), RH %95 non-condensing.

**Operating Intensity** %100, 7/24 use.

### Body / Door Features

Made of 4 supporting main carrier columns and pipe beams placed on the lower chassis, rounded stainless steel walls body and top lid and a completely closed ceiling. Main carrier columns are designed for installation of electronic system, card reader and access control systems. Side columns are designed for installation between walls.

<b>Body</b>	Electrostatic powder coated steel and 304 grade stainless steel.
<b>Doors</b>	Rounded form 304 grade stainless steel and acrylic window.

**Indicators / Illumination** **Status - Direction Indicators** :   LED standard / LED interior illumination and interior indicators standard.

**Power** **Operating Voltage** : 110/220V AC 50/60 Hz. (%±10), 24V DC.  
**Consumption** : ~20W at stand-by, max ~130W (varies according to the options and accessories used).

### Operating Modes

System operates bi-directionally (entry-exit).  
Operation modes can be changed through dip switch, IOS and/or android app.  
Entry - exit controlled      Entry controlled, exit free  
Entry free, exit controlled      Entry - exit internal biometric control mode  
Can be customised for site specific access algorithms.

Electromechanical motorised doors are closed for both ways at stand-by (opt. open for one direction).

Person requests authorisation from the access control device (3rd party device) connected to the gate's entry system. Upon authorisation, door opens allowing person enter inside. Door closes upon detection of the person inside by the presence sensor on the gate ceiling (in case the person do not enter, door closes at the end of time-out set previously). Weight and presence sensors once more control the presence of the person inside. Door opens to the exit direction in case there is a person inside and if he is authorised for access (otherwise, door never opens to the exit direction, gate returns the person to his entry direction or keeps the person locked inside). Upon exit of the person, door closes and systems returns to stand-by for next passage.

### Operating System

Optionally, a control point is available for real person verification (with 3rd party product biometric reader systems) with a column mounted in the passage corridor. Upon presence inside and at door closed position, person requests a second authorisation and according to the authorisation, the door opens and person completes his passage or returns to his entry direction. At the end of the process, door returns to stand-by position and remains locked.

In case of pushing the emergency rescue button inside the cabin, the door opens to the entry direction (or can be programmed for another action).

Gate generates audio and/or visual alarm and relay output in cases of; passage can not be completed on time, the door is forced, presence of more than one person inside is detected, non-authorisation, the emergency rescue button is pushed, an unsolicited situation detected by the sensors.